



# 产品规格书



## SPECIFICATION FOR APPROVAL

**CUSTOMER:** \_\_\_\_\_ JSAxxxx  
 客户代码: \_\_\_\_\_

**PRODUCT NAME:** \_\_\_\_\_  
 产品名称: \_\_\_\_\_ Cover (外壳)

**PRODUCT TYPE:** \_\_\_\_\_  
 产品型号: \_\_\_\_\_ 6838外壳

**CRITICAL DIMENSIONS:** \_\_\_\_\_  
 关键尺寸: \_\_\_\_\_ H-xxxx

**CUSTOMER P/N:** \_\_\_\_\_  
 客户料号: \_\_\_\_\_

**JS P/N:** \_\_\_\_\_  
 晶赛料号: \_\_\_\_\_

拟制 (PREPARED)	审核 (CHECKED)	批准 (APPROVED)

客户确认 (CUSTOMER APPROVAL) :

审核 (CHECKED)	批准 (APPROVED)

安徽晶赛科技股份有限公司

ANHUI JINGSAI TECHNOLOGY CO., LTD.

地址: 铜陵市经济技术开发区天门山北道2569号

ADD: No. 2569 Tianmenshan North Road, TongLing Economy & Technology Development District

TEL: 0562-5885515

FAX: 0562-5886359

mail: leiw@tljsjm.cn

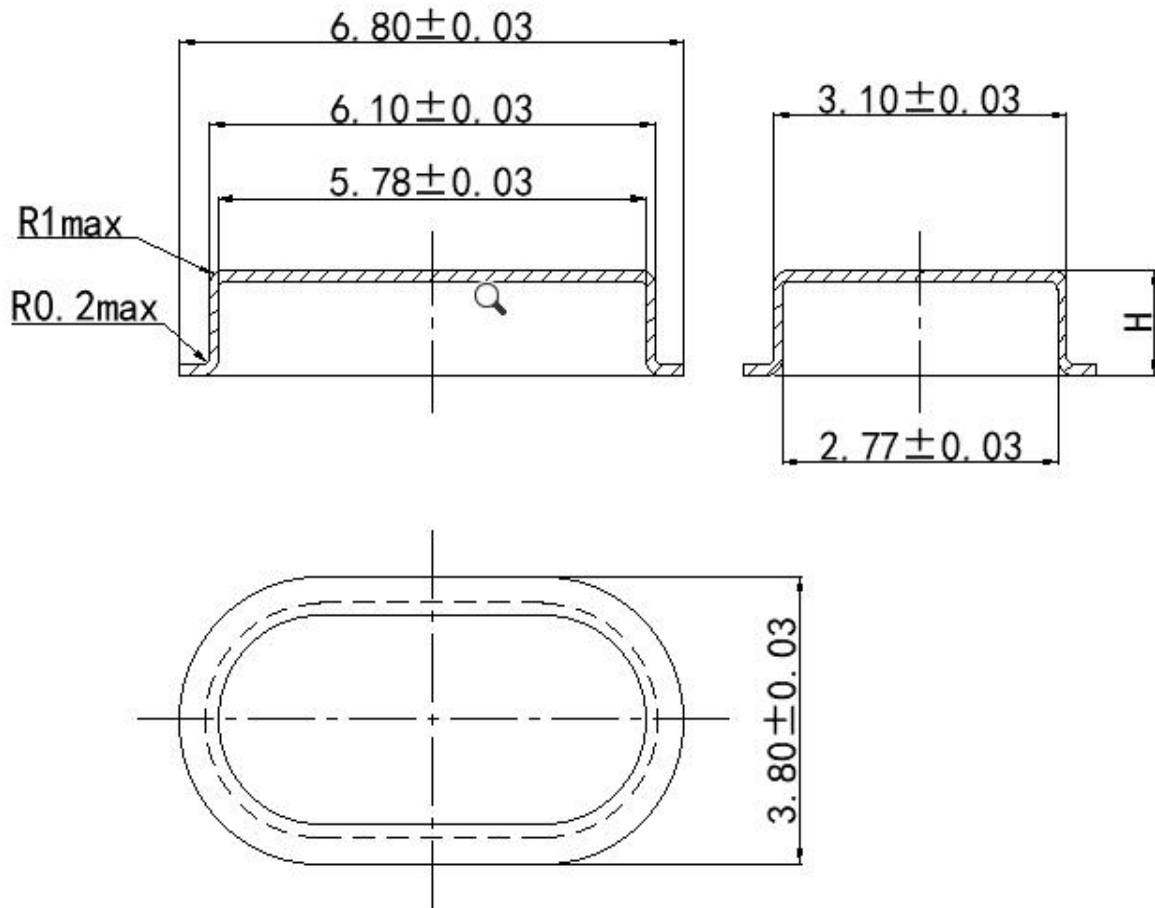
**1 适用范围 (SCOPE OF APPLICATION)**

本规格书用于规定 (A) 石英晶体谐振器用外壳。

THE SPECIFICATION CAN BE USED IN (A) CRYSTAL UNIT'S COVER.

A:6838-Hxxxx

**2 尺寸 (DRAWING)**



**高度 (HEIGHT) :**

$1.20 \pm 0.03mm$

$1.25 \pm 0.03mm$

$1.30 \pm 0.03mm$

$1.40 \pm 0.03mm$

**3 材质 (MATERIAL) :**

锌白铜, 牌号: BZn12-24

**4 镀层 (COATING) :**

电镀亮镍, 厚度  $0.5 \sim 2 \mu m$

### 5 一般性能 (Normal performance)

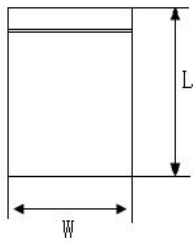
项 目	要求	备注
1 外观 Appearance	1. 镀层:光亮、色泽均匀,无暗斑和花纹。 <b>Coating:bright, uniform color, non dark spot and patterns.</b>	自然光照的条件下,目测。 <b>Under the conditions of natural light, measure by eyes.</b>
	2. 无变形,边口无毛刺,侧面无拉伤,顶部无划伤,无凹坑等变形。 <b>Non Deformation, side of the mouth hairless puncture, non scratch at the top and pit.</b>	
	3. 无油迹、水迹、无可见尘埃等污染;无锈蚀。 <b>Non oil and water trails, Non visible dust; Non corrosion.</b>	
2 密封性 Tightness	1. 正常条件下,贮能式电阻焊封装。 <b>Under normal conditions, packaging by energy storage type resistance welding .</b>	
	2. 密封检查方法:在4~6KG压力的酒精罐中保持10~15分钟取出晾干后,引线与壳体间绝缘电阻值在DC100V条件下,大于或等于500MΩ。 <b>Sealing method:Keep in a alcohol can(4~6KG pressure) about10~15minutes, in condition of DC100V, resistance value is greater than or equal to 500MΩ between lead and cover after drying out, .</b>	
3 可标识性 Identification of available	1. 正常条件下,用激光打标机打标,标识应清晰。 <b>Under normal conditions, using Laser Machine to mark, logo should be clear.</b>	
	2. 可适用于激光打标和油墨印字。 <b>Applicable to laser marking and printing ink.</b>	

### 6 周期试验(ENVIRONMENTAL TEST)

ITEMS	CONDITIONS	SPECIFICATION
项 目	条 件	规 格
1 盐 雾 salt	35℃时,在5%的盐雾条件下保存16小时。 <b>At 35 °C, 16 hours preservation in condition of 5% salt.</b>	外观无明显变化 <b>No significant changes in the appearance</b>
2 高温贮存 High-temperature storage	125℃温度条件下,洁净环境中保持72小时。 <b>At 125°C, keep 72hours in clean environment.</b>	外观无明显变化 <b>No significant changes in the appearance</b>
3 低温贮存 Low-temperature storage	-40℃温度条件下,洁净环境中保持72小时。 <b>At -40°C, keep 72hours in clean environment.</b>	外观无明显变化 <b>No significant changes in the appearance</b>
4 稳态湿热 Steady-state heat	相对湿度90%RH,温度40℃条件下保持72小时。 <b>In condition of 90% relative humidityRH and 40 °C, keep 72 hours.</b>	外观无明显变化 <b>No significant changes in the appearance</b>

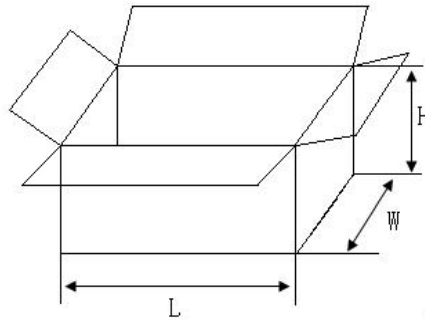
## 7 包装 (PACKAGE)

● 包装袋 (plastic bag)



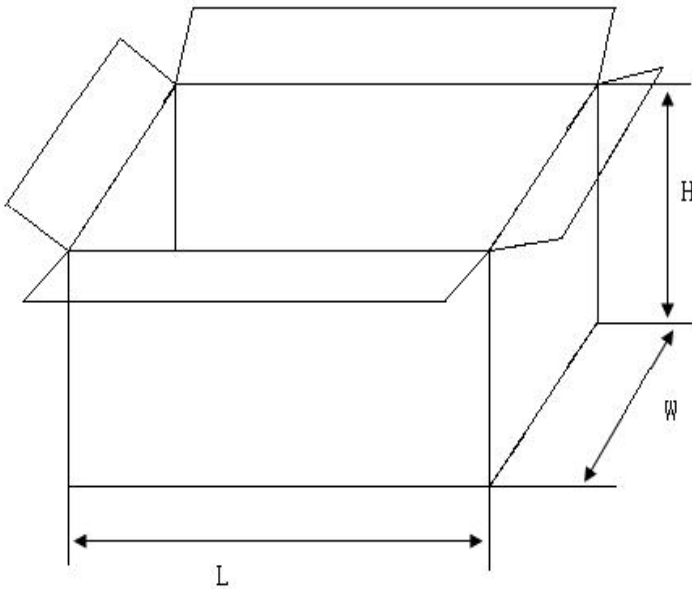
10000pcs/Bag

● 包装盒 (Inner Box)



10Bags/Inner Box

● 包装箱 (Caton)



2 In-Boxer/Caton

● 包装尺寸 (单位: mm) 及数量标准 Package & Quantity

型号 Type	尺寸 Size (L*W*H)	包装数量 Quantity
包装袋 Bags	215*195*0.06	10000pcs
包装盒 Inner Box	370*305*122	100000pcs
包装箱 Caton	390*325*280	200000pcs

● 包装标签内容 Contents of Packaging Labels

- \* 产品型号 (HOLDER TYPE)
- \* 数量 (QUANTITY)
- \* 生产批号 (LOT.)
- \* 检验日期日期 (DATE)
- \* 检验员 (QUALITY CHECKER)