



产品规格书



SPECIFICATION FOR APPROVAL

CUSTOMER: _____
 客户代码: JSAXXXX
PRODUCT NAME: _____
 产品名称: Cover (外壳)
PRODUCT TYPE: _____
 产品型号: D11
CRITICAL DIMENSIONS: _____
 关键尺寸: H-2.38
CUSTOMER P/N: _____
 客户料号: _____
JS P/N: _____
 晶赛料号: _____

| 拟制 (PREPARED) | 审核 (CHECKED) | 批准 (APPROVED) |
|---------------|--------------|---------------|
| | | |

客户确认 (CUSTOMER APPROVAL) :

| 审核 (CHECKED) | 批准 (APPROVED) |
|--------------|---------------|
| | |

安徽晶赛科技股份有限公司

ANHUI JINGSAI TECHNOLOGY CO., LTD.

地址: 铜陵市经济技术开发区天门山北道2569号

ADD: No. 2569 Tianmenshan North Road, TongLing Economy & Technology Development District

TEL: 0562-5885515

FAX: 0562-5886359

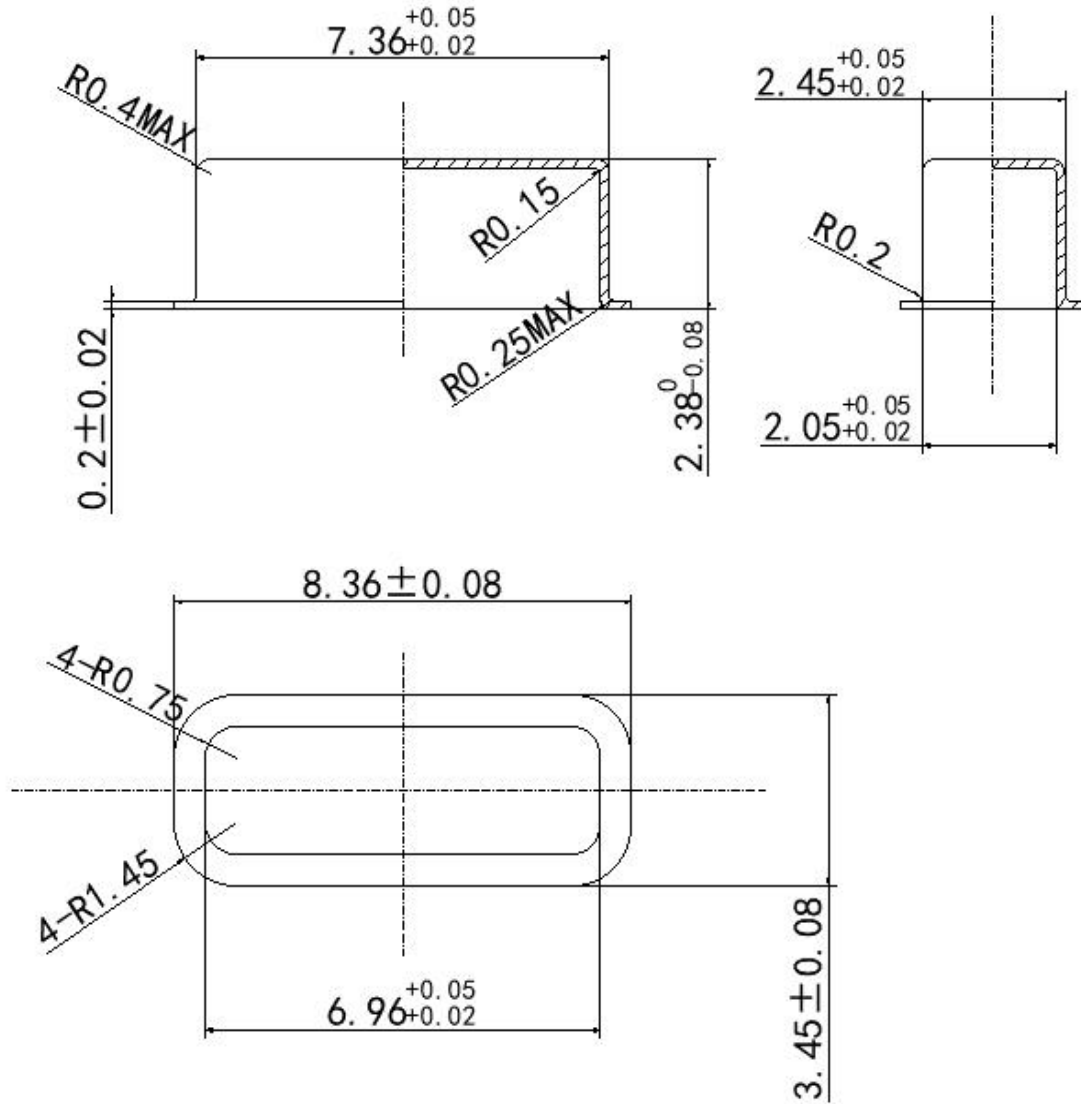
mail: leiw@tljsjm.cn

1 适用范围 (SCOPE OF APPLICATION)

本规格书用于规定 (A) 石英晶体谐振器用外壳。

THE SPECIFICATION CAN BE USED IN (A) CRYSTAL UNIT'S COVER.

A: D11

2 尺寸 (DRAWING)**3 材质 (MATERIAL):**

锌白铜, 牌号: BZn12-24

4 镀层 (COATING):

电镀亮镍, 厚度 $0.5 \sim 2 \mu\text{M}$

5 一般性能 (Normal performance)

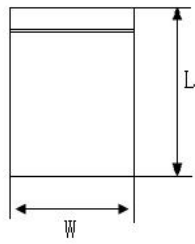
| 项 目 | 要求 | 备注 |
|--|---|--|
| 1 外观 Appearance | 1. 镀层:光亮、色泽均匀,无暗斑和花纹。 Coating:bright, uniform color, non dark spot and patterns. | 自然光照的条件下,目测。 Under the conditions of natural light, measure by eyes. |
| | 2. 无变形,边口无毛刺,侧面无拉伤,顶部无划伤,无凹坑等变形。 Non Deformation, side of the mouth hairless puncture, non scratch at the top and pit. | |
| | 3. 无油迹、水迹、无可见尘埃等污染;无锈蚀。 Non oil and water trails, Non visible dust; Non corrosion. | |
| 2 密封性 Tightness | 1. 正常条件下,贮能式电阻焊封装。 Under normal conditions, packaging by energy storage type resistance welding . | |
| | 2. 密封检查方法:在4~6KG压力的酒精罐中保持10~15分钟取出晾干后,引线与壳体间绝缘电阻值在DC100V条件下,大于或等于500MΩ。 Sealing method:Keep in a alcohol can(4~6KG pressure) about 10~15 minutes, in condition of DC100V, resistance value is greater than or equal to 500MΩ between lead and cover after drying out, . | |
| 3 可标识性 Identification of available | 1. 正常条件下,用激光打标机打标,标识应清晰。 Under normal conditions, using Laser Machine to mark, logo should be clear. | |
| | 2. 可适用于激光打标和油墨印字。 Applicable to laser marking and printing ink. | |

6 周期试验 (ENVIRONMENTAL TEST)

| ITEMS | CONDITIONS | SPECIFICATION |
|---------------------------------------|---|--|
| 项 目 | 条 件 | 规 格 |
| 1 盐 雾 salt | 35℃时,在5%的盐雾条件下保存16小时。 At 35 °C, 16 hours preservation in condition of 5% salt. | 外观无明显变化 No significant changes in the appearance |
| 2 高温贮存 High-temperature storage | 125℃温度条件下,洁净环境中保持72小时。 At 125°C, keep 72 hours in clean environment. | 外观无明显变化 No significant changes in the appearance |
| 3 低温贮存 Low-temperature storage | -40℃温度条件下,洁净环境中保持72小时。 At -40°C, keep 72 hours in clean environment. | 外观无明显变化 No significant changes in the appearance |
| 4 稳态湿热 Steady-state heat | 相对湿度90%RH,温度40℃条件下保持72小时。 In condition of 90% relative humidityRH and 40 °C, keep 72 hours. | 外观无明显变化 No significant changes in the appearance |

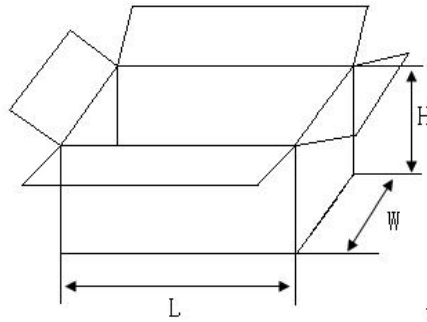
7 包装 (PACKAGE)

● 包装袋 (plastic bag)



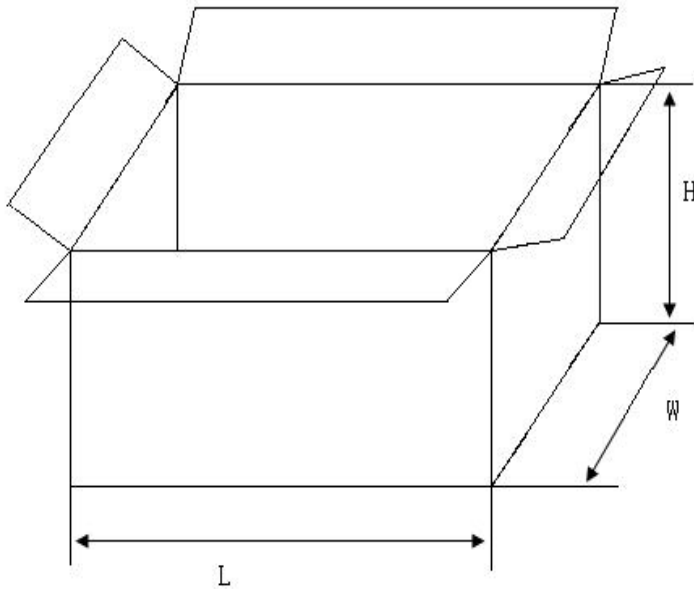
5000pcs/Bag

● 包装盒 (Inner Box)



10Bags/Inner Box

● 包装箱 (Caton)



2 In-Boxer/Caton

● 包装尺寸 (单位: mm) 及数量标准 Package & Quantity

| 型号 Type | 尺寸 Size (L*W*H) | 包装数量 Quantity |
|---------------|-----------------|---------------|
| 包装袋 Bags | 215*195*0.06 | 5000pcs |
| 包装盒 Inner Box | 370*305*122 | 50000pcs |
| 包装箱 Caton | 390*325*280 | 100000pcs |

● 包装标签内容 Contents of Packaging Labels

- * 产品型号 (HOLDER TYPE)
- * 数量 (QUANTITY)
- * 生产批号 (LOT.)
- * 检验日期日期 (DATE)
- * 检验员 (QUALITY CHECKER)