



产品规格书



SPECIFICATION FOR APPROVAL

CUSTOMER:

客户代码:

_____ JSAxxxx _____

PRODUCT NAME:

产品名称:

_____ 线性马达 _____

PRODUCT TYPE:

产品型号:

_____ 下托架 _____

CRITICAL DIMENSIONS:

关键尺寸:

CUSTOMER P/N:

客户料号:

JS P/N:

晶赛料号:

拟制 (PREPARED)	审核 (CHECKED)	批准 (APPROVED)

客户确认 (CUSTOMER APPROVAL) :

审核 (CHECKED)	批准 (APPROVED)

安徽晶赛科技股份有限公司

ANHUI JINGSAI TECHNOLOGY CO., LTD.

地址: 铜陵市经济技术开发区天门山北道2569号

ADD: No. 2569 Tianmenshan North Road, TongLing Economy & Technology Development District

TEL: 0562-5885515

FAX: 0562-5886359

mail: leiw@tljsjm.cn

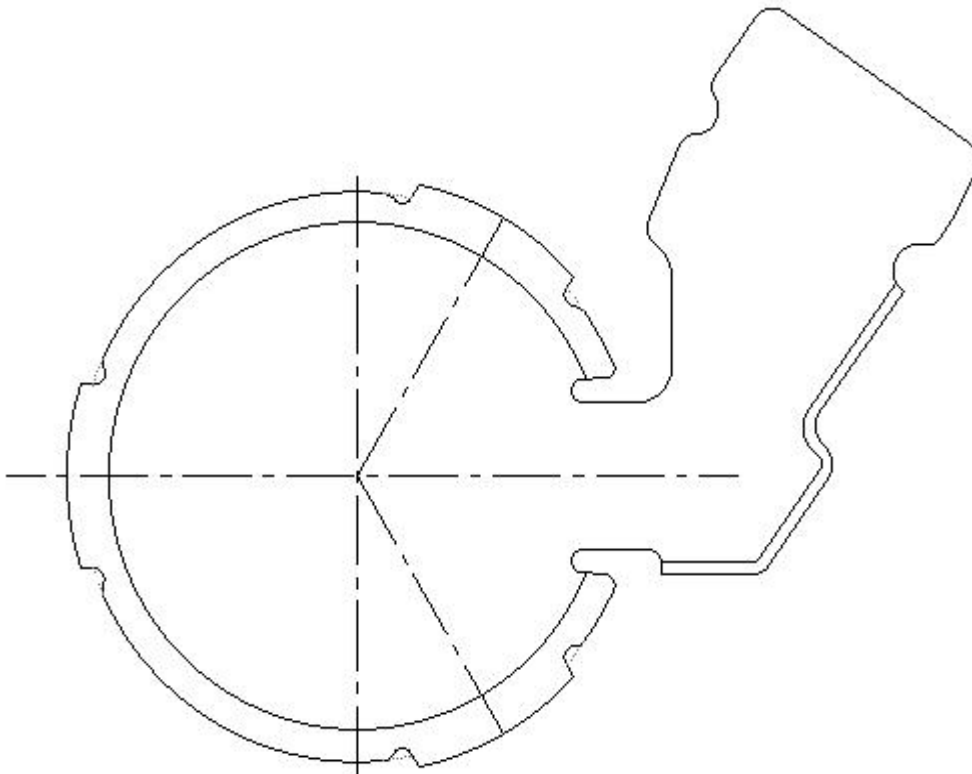
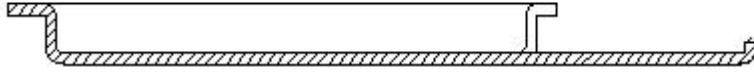
1 适用范围 (SCOPE OF APPLICATION)

本规格书用于规定 (A) 马达外壳。

THE SPECIFICATION CAN BE USED IN (A) MOTOR HOUSING.

A: 下托架

2 尺寸 (DRAWING)



3 材质 (MATERIAL):

SUS316

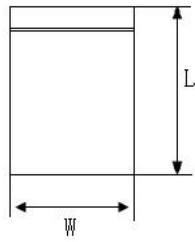
项 目	要求	备注
1 外观 Appearance	<p>1. 镀层:光亮、色泽均匀,无暗斑和花纹。 Coating:bright, uniform color, non dark spot and patterns.</p> <p>2. 无变形,边口无毛刺,侧面无拉伤,顶部无划伤,无凹坑等变形。 Non Deformation, side of the mouth hairless puncture, non scratch at the top and pit.</p> <p>3. 无油迹、水迹、无可见尘埃等污染; 无锈蚀。 Non oil and water trails, Non visible dust; Non corrosion.</p>	自然光照的条件下,目测。 Under the conditions of natural light, measure by eyes.
2 密封性 Tightness	<p>1. 正常条件下, 贮能式电阻焊封装。 Under normal conditions, packaging by energy storage type resistance welding .</p> <p>2. 密封检查方法: 在4~6KG压力的酒精罐中保持10~15分钟取出晾干后, 引线与壳体间绝缘电阻值在DC100V条件下, 大于或等于500MΩ。 Sealing method: Keep in a alcohol can (4~6KG pressure) about 10~15 minutes, in condition of DC100V, resistance value is greater than or equal to 500MΩ between lead and cover after drying out, .</p>	N/A
3 可标识性 Identification of available	<p>1. 正常条件下, 用激光打标机打标, 标识应清晰。 Under normal conditions, using Laser Machine to mark, logo should be clear.</p> <p>2. 可适用于激光打标和油墨印字。 Applicable to laser marking and printing ink.</p>	N/A

6 周期试验(ENVIRONMENTAL TEST)

ITEMS	CONDITIONS	SPECIFICATION
项 目	条 件	规 格
1 盐 雾 salt	35℃时, 在5%的盐雾条件下保存16小时。 At 35 °C, 16 hours preservation in condition of 5% salt.	N/A
2 高温贮存 High-temperature storage	125℃温度条件下, 洁净环境中保持72小时。 At 125°C, keep 72hours in clean environment.	N/A
3 低温贮存 Low-temperature storage	-40℃温度条件下, 洁净环境中保持72小时。 At -40°C, keep 72hours in clean environment.	N/A
4 稳态湿热 Steady-state heat	相对湿度90%RH, 温度40℃条件下保持72小时。 In condition of 90% relative humidityRH and 40 °C, keep 72 hours.	N/A

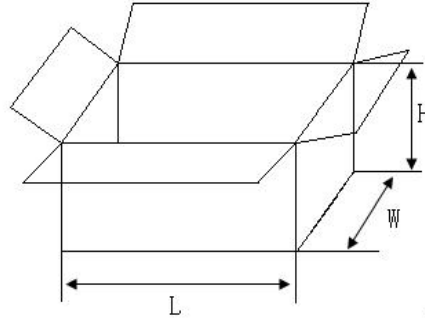
7 包装 (PACKAGE)

● 包装袋 (plastic bag)



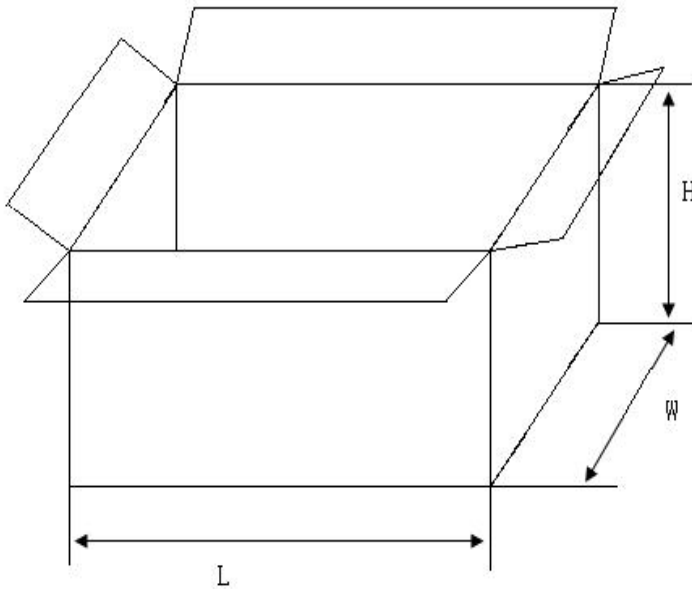
5000pcs/Bag

● 包装盒 (Inner Box)



10Bags/Inner Box

● 包装箱 (Caton)



2 In-Boxer/Caton

● 包装尺寸 (单位: mm) 及数量标准 Package & Quantity

型号 Type	尺寸 Size (L*W*H)	包装数量 Quantity
包装袋 Bags	215*195*0.06	5000pcs
包装盒 Inner Box	370*305*122	50000pcs
包装箱 Caton	390*325*280	100000pcs

● 包装标签内容 Contents of Packaging Labels

- * 产品型号 (HOLDER TYPE)
- * 数量 (QUANTITY)
- * 生产批号 (LOT.)
- * 检验日期日期 (DATE)
- * 检验员 (QUALITY CHECKER)